



THE ONLY  
HAND DRYER MANUFACTURER  
IN CANADA

# 2023 PRODUCT GUIDE



SINCE 1984

# POWER | DESIGN | INNOVATION

The only intelligent and maintenance free  
hand dryer in the world.



+1 855 550 0303

[www.comaccorporation.com](http://www.comaccorporation.com)

# INDEX

03 ABOUT COMAC : HISTORY | MISSION | R&D INNOVATION

04 iCAST

06 iBLAST

08 BLAST

10 ONE

12 ECONO+

14 RETRO+

16 RETRO

18 DUAL FLOW by COMAC

22 ACCESSORIES | RECESS KITS

25 COMPARISON SHEETS WITH COMPETITION

27 COST SAVING WORKSHEET

30 GREEN FACTS

33 PARTNERS | MEMBERSHIPS

34 AWARDS | CERTIFICATIONS

35 WARRANTY | POLICIES



# ABOUT COMAC

## HISTORY

Comac Corporation Inc. was founded in 1984 by Brian O'Connor with one purpose in mind, to capture and dominate the Global hand dryer market.

With approximately 65% market control to date, it is succeeding.

There is no secret to our success: great products, great quality, great service and great people. These were the foundations for our success with our first brand Nova hand dryers from 1984 to 1999.

In 1992, Comac launched on the market the first smallest compact vandal proof high power hand dryer, the Blast and start the era of fast drying (8 seconds) machines, always copied but never equaled since then. It's the only dryer with universal voltage.

1998 is the year of the Comac ONE, the first vandal-proof handicap compliant, modular quiet (under 70dB) hand dryer.

2004 Brian O'Connor passes away and Comac is acquired by a firm specialized in Electro-mechanic, E-Tronics, which area of expertise is electronics and new product development.

2014 Comac Corporation launched the first intelligent connected hand dryer: the **i-Blast**, a super intelligent **Blast**.

2016 After 2 years of intense research and development, Comac innovates once again: creation of the first intelligent hand dryer that is also a restroom digital advertising platform, it's a fully connected and 5.5 inch screen integrated hand dryer remotely managed.

2017 Comac lunch the *new and improved ONE* dryer with 65 dB and ADA compliance. The redesign of the ONE has given the end user the unique feature of having the quietest dryer in the industry with a variable thermostat capability and customizable LED lighting.

2018 The **i-ONE** will be launched, it's basically the quiet version of the **i-Cast** that will come with a 7-inch screen.

Comac covers the Global market with professional representatives in every province and a nationwide network of electrical, janitorial, architectural, hospitality and industrial distributors. Better-than-competitive pricing, aggressive freight policies, industry leading warranties and quality and a stellar reputation with our customers, make Comac the leader in our industry and a leader in the international community.

## MISSION

**The basic philosophy of Comac Corporation:**

To supply the finest quality warm air hand dryers, hair dryers, accessories and digital advertising systems for

use in public washrooms at competitive prices.

To supply these products while meeting the highest existing electrical and ergonomic standards and to constantly try to improve products and service level.

To market these products through selected, reputable and qualified distributors and to national and international accounts.

To establish a firm pricing structure which will allow our distributors to achieve their full potential and provide service for their customers.

To realize that our ultimate success is dependent upon customers and end user's satisfaction and to work to achieve this satisfaction.

## INTERNATIONAL

**Thanks to our partnership with our distributors across the globe, Comac is renown and present internationally:**

**North America:** Canada, United States.

**South America:** Mexico.

**Europe:** UK, Germany, Poland, Netherlands.

**Africa:** Togo, Ghana, Burkina, Mali, Senegal, S. Africa.

**Australia and New Zealand. Asia:** Philippines. **Middle East.**

## COMAC, BETTER SOLUTIONS THROUGH INNOVATION.

Comac Corporation is focusing its activities on revolutionary ecofriendly new hand dryers by investing more than 50% of sales generated in R&D. Comac brings you new technologies and design in modular and high-powered hand dryers and ultra-quiet hand dryers. Our new lines include the world's first contemporary design modular dryer, the sleek and quiet Comac **ONE**, the high powered, ecofriendly Comac **Blast** and **i-Blast**, and the unique powerful high-tech **i-Cast**.

We firmly believe that the Comac line offers you the most innovative dryers available in today's market. Our warranties double the competition and the ease of use and maintenance of our modular dryer is unparalleled. Entirely conceived and made in Canada, Quebec, our lines cover both the trendy establishment looking for contemporary, aesthetically pleasing designs and the public and/or institutional venue that demands a green dryer tough enough to withstand any abuse, while not taking up too much space in an already crowded washroom.

**Specifying** a Comac dryer guarantees you a quality product that is environmentally friendly, technologically innovative and backed by the best quality and warranty in the business.

*At Comac, we believe in uniqueness and we achieve this through our products features and reliability.*



# 04

## iCAST Series

# HAVE A SMART BLAST!

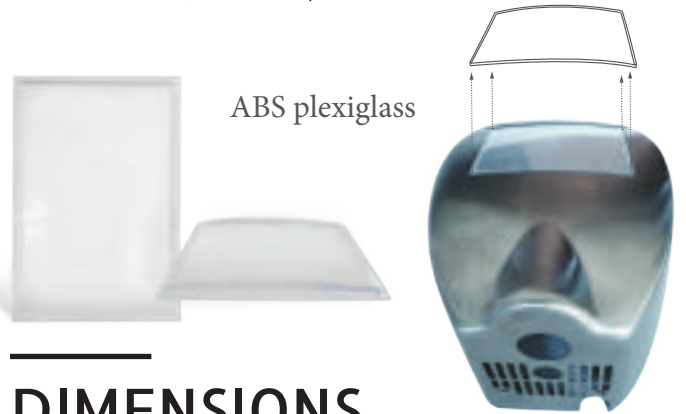
### THE ONLY INTELLIGENT MARKETING & ADVERTISING MATERIAL PLATFORM HAND DRYER WITH WIFI, GSM & LAN TECHNOLOGY IN THE INDUSTRY

## FEATURES

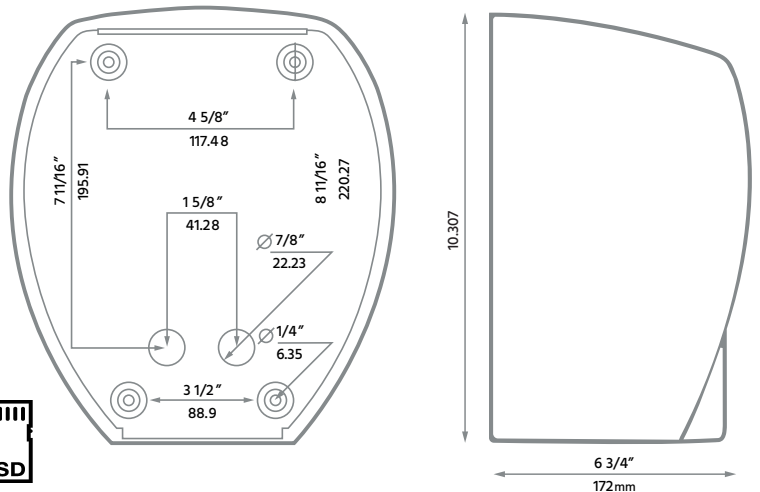
- Vandal proof-not scratchable with any sharp object
- Fastest drying time on the market
- Automatic infrared actuated sensor, for power conservation and maximum hygiene
- **Exclusive: Adjustable output airflow temperature**
- Robust, vandal proof, tamper-proof design and construction for greater product durability and longevity
- lifetime warranty - the best one in the industry
- High velocity (100 CFM) airflow for ultra high speed hand drying: 8 sec.
- 5.5 inches touch screen, full WiFi, GSM, Ethernet, Bluetooth connectivity for data upload & remote dryer maintenance
- Unique interactive communication between the machine and the end user, full WiFi monitoring worldwide
- Radio FM/AM worldwide (option)
- **Smallest footprint on the market**
- Universal voltage: automatic voltage switching for ease of installation
- Designed for easy installation
- Contributes to LEED and BOMA building certifications
- Vandal proof ABS plexiglass screen protector
- Tamperproof screws
- Fire Alarm and Active Shooter Alarm (optional)

## APPLICATIONS

- All public and commercial bathrooms and clean up areas. Factories, restaurants, pools, gyms, hospitals and schools
- All facilities with a need for advertising
- Marketing and advertising companies for better reach of target audiences
- Great platform to reach employees and staff internally
- Made for high traffic public areas



## DIMENSIONS



Bluetooth





White



Black



Stainless Steel



Chrome

## SPECIFICATIONS

**Voltage** Universal 115-230\*VAC (\*50/60Hz)  
**Wattage** 1450 W at 5.2A (230VAC)  
**Motor** Vacuum Motor, 36,000 RPM (outside the enclosure)  
 5/8HP 20,000 RPM (installed in the enclosure)  
**Colour** White, Black and Stainless Steel  
**Finish** Chrome, scratch-resistant porcelain, brushed stainless steel.  
**Heating Element** 725w resistance coil.  
**Construction Material** Reinforced Steel

**Controls & Wiring** Automatic resetting thermostat with cutout when airflow is restricted. Infrared sensor cutout two seconds after hand removal, and 85 seconds after initiating drying.

**Installation** Removable predrilled baseplate for easy mounting.

**Warranty** LIFETIME

CSA certified for use in Canada and the U.S.  
 CE approved for use where applicable.

**Patent Pending**

## ORDERING GUIDE

Video : <https://youtu.be/rt9Xm7Mo2D0>

Model No.	Color	Watts cold air hot air	Volts Hz	Air Velocity LFM	Air Volume CFM	Noise dB	Dimensions (W x H x D) (mm/in.)	Weight (kg/lbs.)
c-400000000	White	725-1450	115-230,50-60	19,000	100	78	235 x 280 x 170 (9.25 x 11.02 x 6.69)	5/11
C-400000002	Black	725-1450	115-230, 50-60	19,000	100	78	235 x 280 x 170 (9.25 x 11.02 x 6.69)	5/11
C-400220000	Brushed stainless steel	725-1450	115-230, 50-60	19,000	100	78	235 x 280 x 170 (9.25 x 11.02 x 6.69)	5/11
C-400230000	Chrome	725-1450	115-230, 50-60	19,000	100	78	235 x 280 x 170 (9.25 x 11.02 x 6.69)	5/11



COMMERCIAL HAND DRYERS TO ORDER PLEASE CALL 1-855-550-0303



# 06

## iBLAST Series

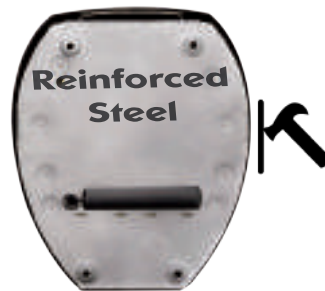
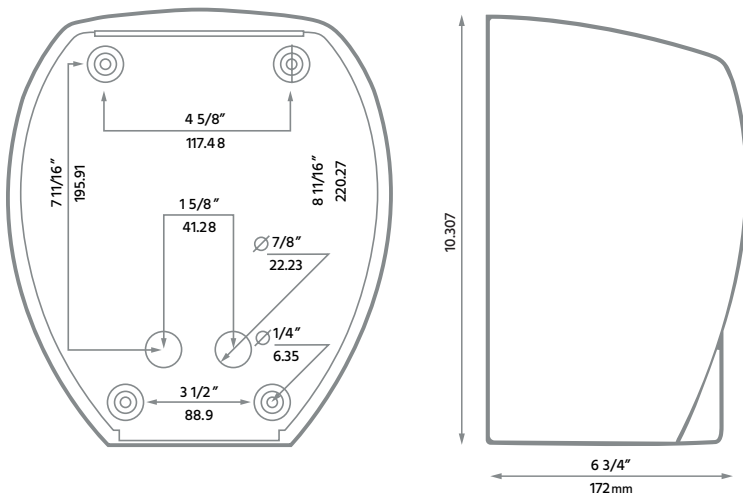
# HAVE AN INTELLIGENT BLAST!

THE ONLY INTELLIGENT MAINTENANCE FREE HAND DRYER IN THE WORLD

## FEATURES

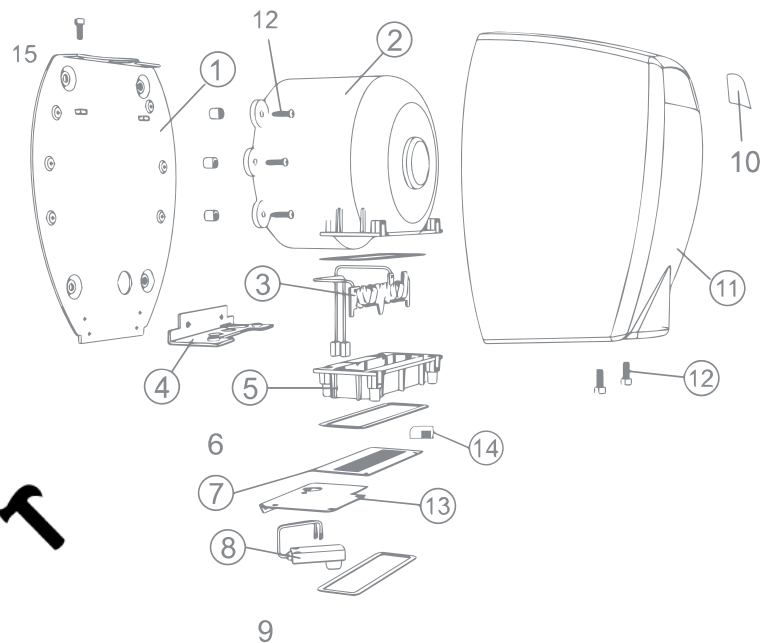
- Vandal proof-not scratchable with any sharp object
- Fastest drying time on the market
- This is the first Intelligent Blast. Same power, same design plus new hi-tech features
- Unique Intelligent connectivity
- Communicates the diagnostic in case of defaults
- Capability of establishing usage frequency
- Controllable remotely via text message or the web portal
- Communicate via GSM or Ethernet with the data center
- **Exclusive : Adjustable output airflow temperature**
- Smallest footprint on the market
- Universal voltage: automatic voltage switching for easy installation
- Designed for easy installation
- Contributes to LEED and BOMA building certifications
- Tamperproof screws

## DIMENSIONS



## APPLICATIONS

- Washrooms and clean up areas, commercial facilities, factories, restaurants and hospitals
- schools, pools and gyms.
- Made for high traffic public areas



## REPLACEMENT PARTS

1	Baseplate	9	Nozzle
2	Motor Assembly	10	Nameplate
3	Heating Element	11	Cover
4	Inlet Grill	12	Fasteners
5	Element Housing	13	Sensor Mounting Plate
6	Circuit Board	14	Sim Card
7	Outlet Grill	15	GSM Antenna
8	Sensor		



White

Black

Stainless Steel

Chrome

## SPECIFICATIONS

- Voltage** Universal 115-230\*VAC (\*50/60Hz)
- Wattage** 1450 W at 5.2A (230VAC)
- Motor** Vacuum Motor, 36,000 RPM (outside the enclosure)  
5/8HP 20,000 RPM (installed in the enclosure)
- Colour** White, Black and Stainless Steel
- Finish** Porcelain enamel.
- Heating Element** 725w resistance coil.
- Construction Material** Reinforced Steel

- Controls & Wiring** Automatic resetting thermostat with cutout when airflow is restricted. Infrared sensor cutout two seconds after hand removal, and 85 seconds after initiating drying.
- Installation** Removable predrilled baseplate for easy mounting.
- Warranty** LIFETIME.
- CSA certified for use in Canada and the U.S.
- CE approved for use where applicable.
- Patent Pending**

Video: <https://youtu.be/iV6GMhC9Xpc>



## ORDERING GUIDE

Model No.	Color	Watts cold air hot air	Volts Hz	Air Velocity LFM	Air Volume CFM	Noise dB	Dimensions (W x H x D) (mm/in.)	Weight (kg/lbs.)
C-300000000	White	725-1450	115-230,50-60	19,000	100	78	235 x 280 x 170 (9.25 x 11.02 x 6.69)	5/11
C-300240000	Black	725-1450	115-230, 50-60	19,000	100	78	235 x 280 x 170 (9.25 x 11.02 x 6.69)	5/11
C-300220000	Brushed stainless steel	725-1450	115-230, 50-60	19,000	100	78	235 x 280 x 170 (9.25 x 11.02 x 6.69)	5/11
C-300230000	Chrome	725-1450	115-230, 50-60	19,000	100	78	235 x 280 x 170 (9.25 x 11.02 x 6.69)	5/11



COMMERCIAL HAND DRYERS TO ORDER PLEASE CALL 1-855-550-0303

comaccorporation.com



07

# 08

## BLAST Series

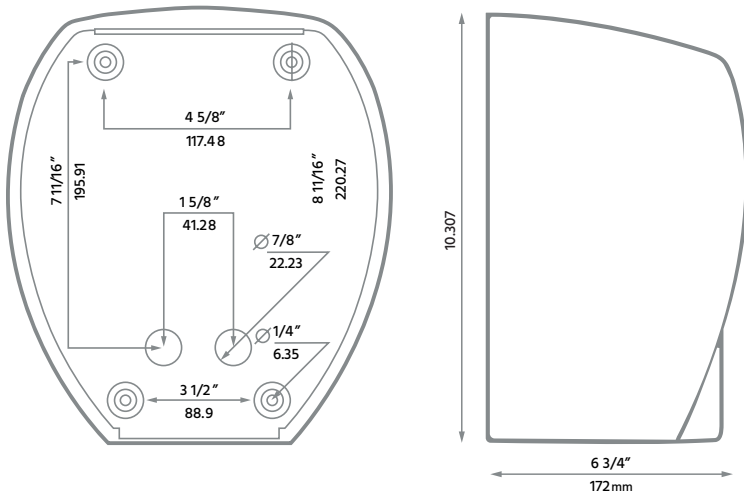
# HAVE A BLAST!

REINFORCED STEEL CONSTRUCTION FOR A COMPACT AND MODERN DESIGN WITH UNSURPASSED DRYING SPEED FOR A LONG LASTING DURABILITY. ENVIRONMENTALLY FRIENDLY, USING LESS THAN 1/6<sup>th</sup> OF THE ENERGY OF A CONVENTIONAL HAND DRYER

## FEATURES

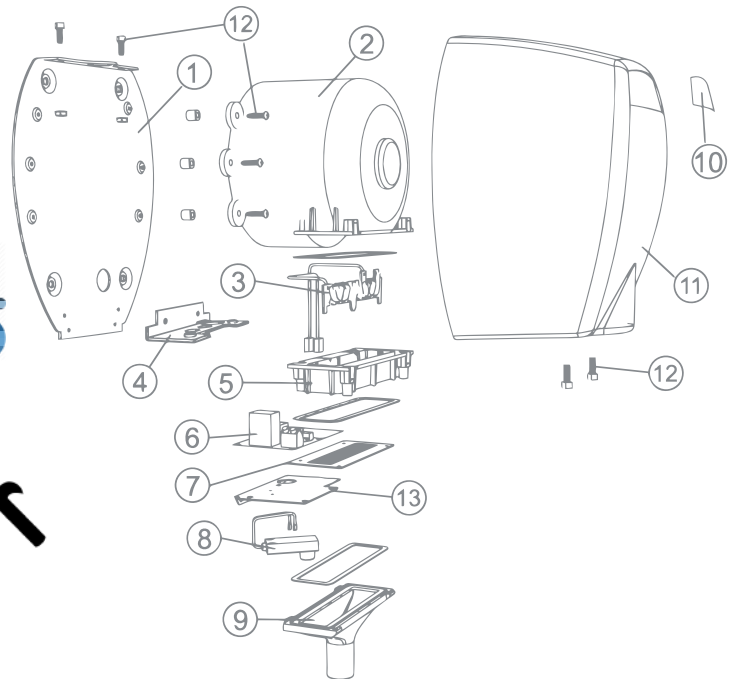
- Vandal proof-not scratchable with any sharp object
- Fastest drying time on the market
- Automatic infrared actuated sensor, for power conservation and maximum hygiene
- Robust, tamperproof design and construction for greater product durability and longevity in application
- High velocity (100 CFM) airflow for ultra high speed hand drying
- Universal voltage: automatic voltage switching for an easier installation
- Contributes to LEED and BOMA building certifications
- **Exclusive: Heater on~off switch**
- Smallest footprint on the market
- Tamperproof screws

## DIMENSIONS



## APPLICATIONS

- Washrooms and clean up areas, commercial facilities, factories, restaurants and hospitals schools, pools, gyms.
- Made for high traffic public areas



## REPLACEMENT PARTS

1	Baseplate	8	Sensor
2	Motor Assembly	9	Nozzle
3	Heating Elements	10	Nameplate
4	Inlet Grill (cast cover)	11	Cover
5	Element housing	12	Fasteners
6	Circuit Board	13	Sensor Mounting Plate
7	Outlet Grill Bracket	14	Tamper-Proof Key



White



Black



Stainless Steel



Chrome

## SPECIFICATIONS

**Voltage** Universal 115-230\*VAC (\*50/60Hz)  
**Wattage** 1450 W at 5.2A (230VAC)  
**Motor** Vacuum Motor, 36,000 RPM (outside the enclosure)  
 5/8HP 20,000 RPM (installed in the enclosure)  
**Colour** White, Black and Gray  
**Finish** Porcelain enamel.  
**Heating Element** 725w resistance coil.  
**Construction Material** Reinforced Steel

**Controls & Wiring** Automatic resetting thermostat with cutout when airflow is restricted. Infrared sensor cutout two seconds after hand removal, and 85 seconds after initiating drying.  
**Installation** Removable predrilled baseplate for easy mounting.  
**Warranty** LIFETIME  
 CSA certified for use in Canada and the U.S. CE approved for use where applicable.  
**Patent Pending**

## ORDERING GUIDE

Video: <https://youtu.be/iV6GMhC9Xpc>

Model No.	Color	Watts cold air hot air	Volts Hz	Air Velocity LFM	Air Volume CFM	Noise dB	Dimensions (W x H x D) (mm/in.)	Weight (kg/lbs.)
C-200000000	White	725-1450	115-230,50-60	19,000	100	78	235 x 280 x 170 (9.25 x 11.02 x 6.69)	5/11
C-200240000	Black	725-1450	115-230, 50-60	19,000	100	78	235 x 280 x 170 (9.25 x 11.02 x 6.69)	5/11
C-200220000	Brushed stainless steel	725-1450	115-230, 50-60	19,000	100	78	235 x 280 x 170 (9.25 x 11.02 x 6.69)	5/11
C-200230000	Chrome	725-1450	115-230, 50-60	19,000	100	78	235 x 280 x 170 (9.25 x 11.02 x 6.69)	5/11



COMMERCIAL HAND DRYERS TO ORDER PLEASE CALL 1-855-550-0303

comaccorporation.com



09

# 10

## ONE Series

# FEEL THE SILENCE!

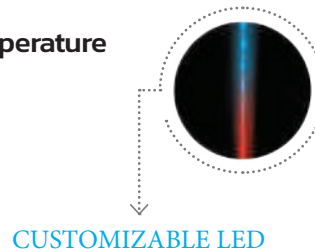
THE WORLD'S FIRST MODULAR HAND DRYER - OUR FAMOUS QUIET MODEL "ONE" WITH NEW DESIGN AND TECHNOLOGY- FEEL THE **SILENCE**

## FEATURES

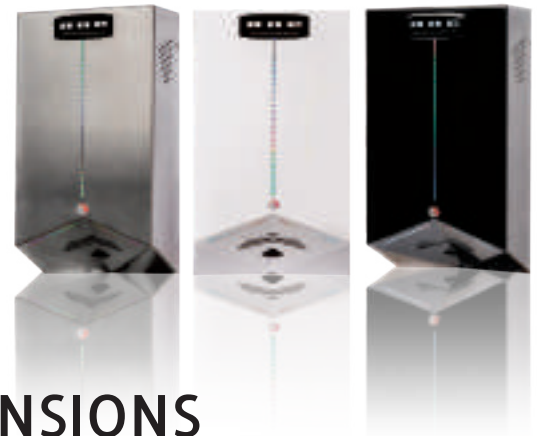
- Quietest hand dryer in the industry at 55 db. Now, 12 seconds drying time
- Automatic infrared actuated sensor, for power conservation and maximum hygiene
- Robust, tamperproof design and construction for greater product durability and longevity in application
- **Exclusive : Adjustable output airflow temperature**
- High improved velocity (8600 LFM) airflow for faster hand drying
- Universal voltage
- Modular design for easy repair
- Designed for easy installation
- **Dynamic changeable LED colored lighting (by end user)**
- Vandal proof
- Tamperproof screws

## APPLICATIONS

- Washrooms | Clean up Areas
- Commercial Facilities, Factories, Restaurants, Hospitals, Office buildings
- Residential



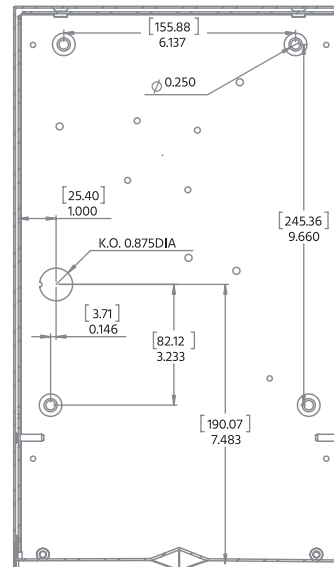
CUSTOMIZABLE LED



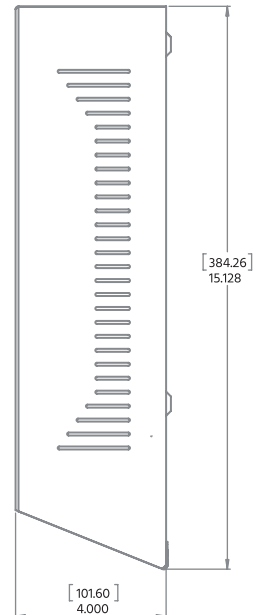
## DIMENSIONS

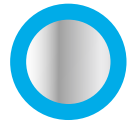
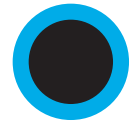
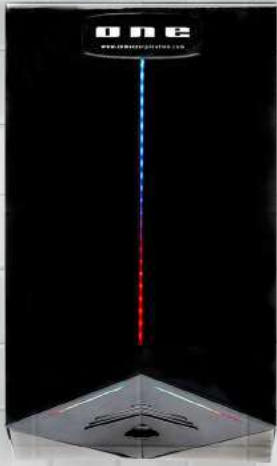


BACK VIEW



SIDE VIEW





White

Black

Stainless Steel

Chrome

## SPECIFICATIONS

- Voltage** Universal 115-230\*VAC (\*50/60Hz)
- Wattage** 1450 W at 5.7A (230VAC)
- Motor** 1800 RPM brushless external rotor
- Colour** White & Black antibacterial, Stainless steel
- Finish** Chrome, scratch-resistant porcelain, brushed stainless steel, micro paint
- Heating Element** 1380w resistance coil
- Construction Material** Reinforced Steel

- Controls & Wiring** Automatic resetting thermostat with cutout when airflow is restricted-Infrared sensor cutout two seconds after hand removal, and 60 seconds after initiating drying
- Installation** Removable predrilled baseplate for easy mounting
- Warranty** LIFETIME
- CSA certified for use in Canada and the U.S.
- CE approved for use where applicable.
- Patent Pending**

Video: <https://youtu.be/nq0q6pv5leg>

**OXFORD ACADEMIC  
PAEDIATRICS & CHILD HEALTH  
CHOSSES "THE ONE"**

## ORDERING GUIDE

Model No. (LED OPTION L)	Color	Watts cold air Hot Air	Volts Hz	Air Velocity LFM	Air Volume CFM	Noise dB	Dimensions (W x H x D) (mm/in.)	Weight (kg/lbs.)
C-10000000 L-10000000	White	75-1450	115-230,50-60	8600	150	55	223 x 384 x 105 ( 8.77 x 15.11 x 4.13 )	5.7/12.5
C-10000002 L-10000002	Black	75-1450	115-230, 50-60	8600	150	55	223 x 384 x 105 ( 8.77 x 15.11 x 4.13 )	5.7/12.5
C-100220004 L-100220004	Brushed SS	75-1450	115-230, 50-60	8600	150	55	223 x 384 x 105 ( 8.77 x 15.11 x 4.13 )	5.7/12.5
C-100220006 L-100220006	Chrome	75-1450	115-230, 50-60	8600	150	55	223 x 384 x 105 ( 8.77 x 15.11 x 4.13 )	5.7/12.5



COMMERCIAL HAND DRYERS TO ORDER PLEASE CALL 1-855-550-0303

comacorporation.com



# 12

## ECONO+ Series

# RESIDENTIAL AND COMMERCIAL HAND DRYER

A FAST DRYING AND HYPER COMPACT HAND DRYER WITH A MODERN DESIGN AND A LONG LASTING DURABILITY.

ENVIRONMENTALLY FRIENDLY, USING LESS THAN 1/6<sup>th</sup> OF THE ENERGY OF CONVENTIONAL HAND DRYER

## FEATURES

- Wide drying area
- Allows users to dry hands more naturally and comfortably.
- Air Speed Adjustment
- On/Off Heater Switch
- Standby Power: Less than 0.5W
- Blue action light indicating sensor range and maximum drying efficiency.
- LIFETIME warranty
- **Smallest footprint on the market**
- Easy to service
- Tamperproof screws

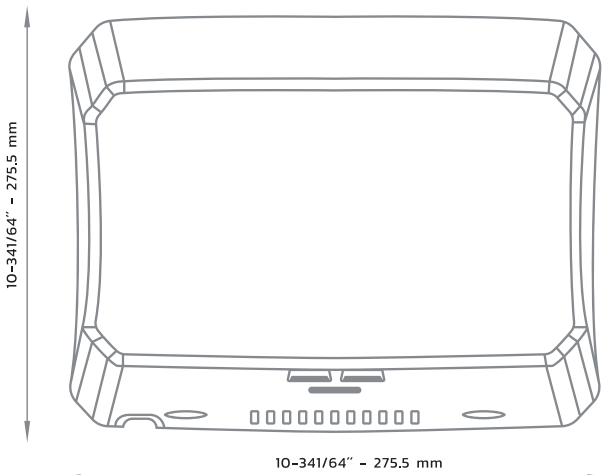
## APPLICATIONS

- Washrooms and clean up areas, commercial facilities, factories, restaurants and hospitals
- Perfect for Residential use: Condominiums, apartments, houses, garages

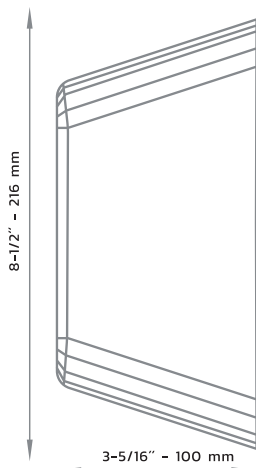


## DIMENSIONS

FRONT VIEW



SIDE VIEW



### DISTANCE FROM BOTTOM EDGE OF DRYER TO FLOOR

Men	47" (119 cm)
Women	44" (112 cm)
Children 8-10 years	35" (89 cm)
Children 11-13 years	38" (97 cm)
Children 14-16 years	44" (112 cm)
Disabled	36" (91 cm)



White



Stainless Steel



## SPECIFICATIONS

**Voltage** 110\*VAC (\*50/60Hz) **Material** 1.2mm White Powder Coated Steel **Features** Contemporary curved design | Patented high-flow dual air outlets **Motor** 250-500W Brush Type: Dual Ball Bearings | 15,000-26,000 RPM | 95°C auto reset overload **Power** Use 220V, 50Hz, 1000W, 4.17A **Sound** Level 75db (+/- 3) **Drying time** Less than 15 seconds **DP Rating** IP 23 **Element** 500W

**Heater** 85°C auto resetting thermostat | 105°C auto reset safety cut off **Warm Air Speed:** 35-70mis (adjustable) | Temp: Ambient +25°C **Protection** 60 sec power cut off, auto reset **Sensor/Range** Infrared Automatic - 152mm +/- 20mm preset **Blue LED** indicates operation/range **Case Security** 2 SS theft resistant hex drive screws (hex key supplied) **Net Weight** 3.8kg **Dimensions** 276mmW x 216mmH x 100mmD **Note** Unit can be hard wired by electrician or used with cord and plug provided **Material** 1.2mm White Powder Coated Steel

## ORDERING GUIDE

Model No.	Color	Watts	Volts Hz	Air Velocity LFM	Air Volume CFM	Noise dB	Dimensions (W x H x D) (mm/in.)	Weight (kg/lbs.)
ECO+W	White	1000	110-240	17000	250	<75	276x216x100 (10x8.5x3.9)	3.8/8
ECO+B	Stainless steel	1000	110-240	17000	250	<75	276x216x100 (10x8.5x3.9)	3.8/8



COMMERCIAL HAND DRYERS TO ORDER PLEASE CALL 1-855-550-0303



# 14

## RETRO+ Series

# COMMERCIAL HAND DRYER

CAST IRON CONSTRUCTION FOR COMPACT, STYLISH DESIGN WITH FAST DRYING SPEED AND LONG LASTING DURABILITY.

ENVIRONMENTALLY FRIENDLY, USING LESS THAN 1/6<sup>th</sup> OF THE ENERGY OF A CONVENTIONAL HAND DRYER

## FEATURES

- Powerful
- Stylish appearance, blue LED
- Efficient, fast and safe
- Automatic Sensor
- Suitable to be installed in high traffic places
- LIFETIME warranty
- Small footprint
- Vandal proof
- Heavy duty reinforced steel
- Tamperproof screws

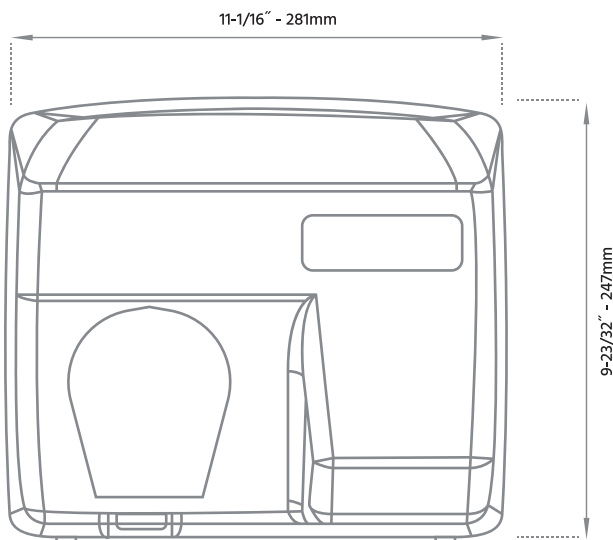
## APPLICATIONS

- Washrooms and clean up areas, commercial facilities, factories, restaurants and hospitals
- High traffic areas
- Ideal for pools, gyms , stadiums  
**(hair drying enable)**

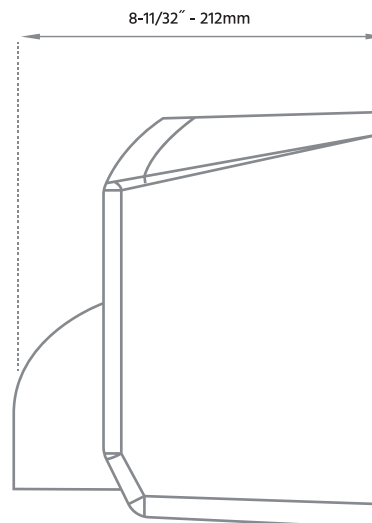


## DIMENSIONS

### FRONT VIEW



### SIDE VIEW



### DISTANCE FROM BOTTOM EDGE OF DRYER TO FLOOR

Men	47" (119 cm)
Women	44" (112 cm)
Children 8-10 years	35" (89 cm)
Children 11-13 years	38" (97 cm)
Children 14-16 years	44" (112 cm)
Disabled	36" (91 cm)



White



Chrome



## SPECIFICATIONS

**Operation Voltage** 110 - 120Vac, 50 - 60Hz, 2.0 - 2.4 KW  
220 - 240Vac, 50 - 60Hz, 2.0 - 2.4 KW

**Warm Air Speed Output** 28 m/s (62.6 mi/hr)

**Drier Shall Deliver** 345 rrlh ( 202 CFM)

**Motor Type** 200 W, 15,500 R.P.M., brush motor

**Motor Thermal Protection** Auto resetting thermostat turns unit off at 105°C (221°F)

**Heater Thermal Protection** Auto resetting thermostat turn units off at 65°C (14°F);

Thermal fuse cut unit off at 141°C (28°F)

**Drying Time** Approximately 12-25 seconds

**Sound Level** 65±3 dB @ 1 m

**Timing Protection** 60 seconds auto shut off

**Drip Proof** IPX1▲

**Isolation** Class 1

**Material** Steel

**Cover Finish** Porcelain Enameled Coating

**Dimensions** 281 mm (W) x 247 mm (H) x 212 mm (D)  
[11-1/16" (W) x 9-23/32" (H) x 8-11/32" (D)]

## ORDERING GUIDE

Model No.	Color	Watts	Volts Hz	Air Velocity LFM	Air Volume CFM	Noise dB	Dimensions (W x H x D) (mm/in.)	Weight (kg/lbs.)
RETRO+W110V RETRO+W240V	White	1400	110-120, 220-240	16000	202	65	281X247X212 (11X9X8)	6.8/15
RETRO+C110V RETRO+C240V	Chrome	1400	110-120, 220-240	16000	202	65	281X247X212 (11X9X8)	6.8/15



COMMERCIAL HAND DRYERS TO ORDER PLEASE CALL 1-855-550-0303



# 16

## RETRO Series

# COMMERCIAL HAND DRYER

CAST IRON CONSTRUCTION FOR COMPACT, STYLISH DESIGN WITH FAST DRYING SPEED AND LONG LASTING DURABILITY.

ENVIRONMENTALLY FRIENDLY, USING LESS THAN 1/6<sup>th</sup> OF THE ENERGY OF A CONVENTIONAL HAND DRYER

## FEATURES

- Powerful
  - Stylish appearance, blue LED
  - Efficient, fast and safe
  - Push button with long life operation
  - Suitable to be installed in high traffic places
  - LIFETIME warranty
  - Small footprint
  - Vandal proof
  - Heavy duty reinforced steel
  - Tamperproof screws
- **Unique feature: drying timer customizable: from 0 to 3 minutes drying time**

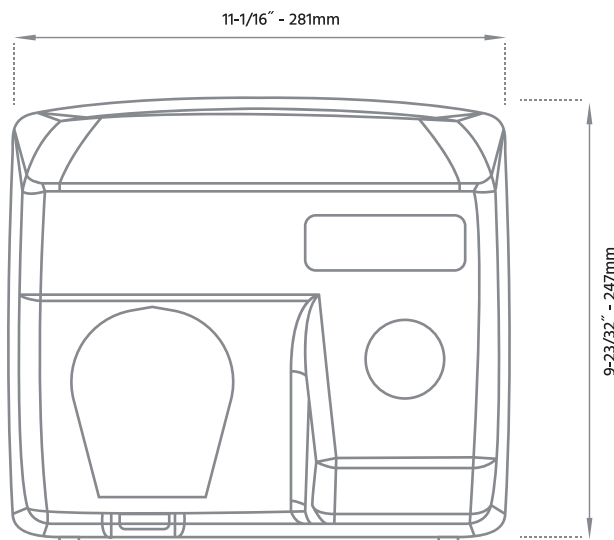
## APPLICATIONS

- Washrooms and clean up areas, commercial facilities, factories, restaurants and hospitals
- High traffic areas
- Ideal for pools, gyms , stadiums  
**(hair drying enable)**

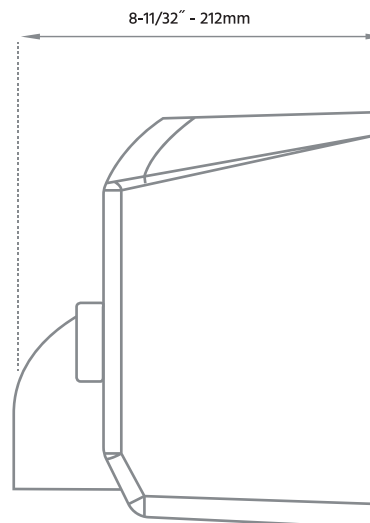


## DIMENSIONS

FRONT VIEW



SIDE VIEW



DISTANCE FROM BOTTOM  
EDGE OF DRYER TO FLOOR

Men	47" (119 cm)
Women	44" (112 cm)
Children 8-10 years	35" (89 cm)
Children 11-13 years	38" (97 cm)
Children 14-16 years	44" (112 cm)
Disabled	36" (91 cm)



White



Chrome



## SPECIFICATIONS

**Operation Voltage** 110 – 120Vac, 50 – 60Hz, 2.0 – 2.4 KW  
220 – 240Vac, 50 – 60Hz, 2.0 – 2.4 KW

**Warm Air Speed Output** 28 m/s (62.6 mi/hr)

**Drier Shall Deliver** 345 rrilh ( 202 CFM)

**Motor Type** 200 W, 15,500 R.P.M., brush motor

**Motor Thermal Protection** Auto resetting thermostat turns unit off at 105°C (221°F)

**Heater Thermal Protection** Auto resetting thermostat turn units off at 65°C (14°F);

Thermal fuse cut unit off at 141°C (28°F)

**Drying Time** Approximately 12-25 seconds

**Sound Level** 65±3 dB @ 1 m

**Timing Protection** 60 seconds auto shut off

**Drip Proof** IPX1▲

**Isolation** Class 1

**Material** Steel

**Cover Finish** Porcelain Enameled Coating

**Dimensions** 281 mm (W) x 247 mm (H) x 212 mm (D)  
[11-1/16" (W) x 9-23/32" (H) x 8-11/32" (D)]

Adjustable timer upto 4 min drying time

## ORDERING GUIDE

Model No.	Color	Watts	Volts Hz	Air Velocity LFM	Air Volume CFM	Noise dB	Dimensions (W x H x D) (mm/in.)	Weight (kg/lbs.)
RETRO-W110V RETRO-W240V	White	1400	110-120, 220-240	16000	202	65	281X247X212 (11X9X8)	6.8/15
RETRO-C110V RETRO-C240V	Chrome	1400	110-120, 220-240	16000	202	65	281X247X212 (11X9X8)	6.8/15



# 18

## DUAL FLOW Jet Series

# COMMERCIAL HAND DRYER

THE FIRST **CAVITY DRYER** THAT IS **99.9% BACTERIA FREE**. SIMPLE DESIGN, DRAINAGE SYSTEM, **ECO-FRIENDLY**, MAXIMUM **ERGONOMY** AND A **LIFETIME WARRANTY**. SIMPLY A **NO BRAINER**.

## FEATURES

- THIN design with rapid drying, cost effective and most hygienic.
- Uses a highly efficient motor to create strong winds to sweep the water off from hands.
- Dry hands in 7 seconds by super-powered jet air.
- 3-point infrared sensor.
- Brushless powerful motor and HEPA filter to create clean air without bacteria.
- Brightness unique LED indicator.
- 25 seconds of continuous timer protection.
- Clean air by UV sterilization to keep air bacteria free.
- No disposal, storage or labor costs compared with paper towels. You only need to clean once a day.
- Up to 90% savings, compared to paper towel costs.
- Intelligent heat element, active only when ambient temperature is less than 25°C.
- ECO-friendly product by power-saving clean technology.
- Integrated water evacuation drain to water tank and/or main bathroom drain.



## APPLICATIONS

- Washrooms and clean up areas, commercial facilities, factories, restaurants, hospitals, schools, pools and gyms.
- Ideal for high and very high traffic public areas.
- Made for high traffic public areas.

## DIMENSIONS

FRONT VIEW

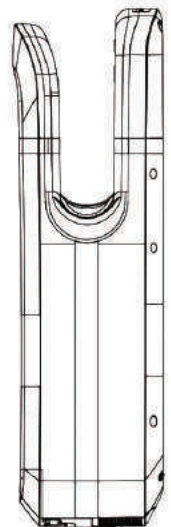
297 MM



671MM

SIDE VIEW

195MM





## SPECIFICATIONS

**Voltage** 220V-240V 50/60Hz or 110V-120V 60Hz

**Consumption Power** 1850W (Heater ON)/750W(Heater OFF)

**Standby Power** <2W

**Air Temperature** 40°C (Room Temperature=25°C)

**Air Velocity** 100M/S

**Air Flow** 158M³/H

**Drying Time** 7-10Seconds

**Safety Timer** 25Seconds

**Operation** Touch-free infrared sensor

**Protection Level** IPX1

**Electrical Isolation** CLASS 1

**Noise Level** 65dB(At 1M)

**Sterilization** HEPA Filter+UV lamp+Pre-Filter

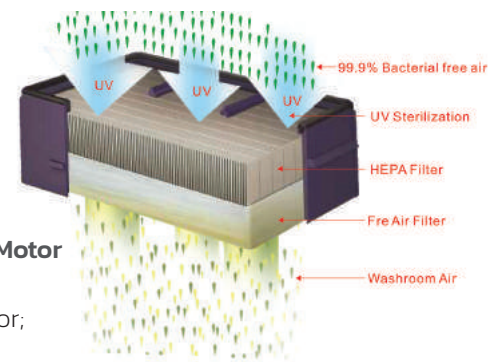
**Drain Tank** 500ml

**Material** Anti broken ABS plastic

**Motor** Brushless Motor or **Brush Motor** 2200RMP

**Unit Net Weight** 7.5kg/Brush Motor; 9.3kg/Brushless Motor

**Unit Gross Weight** 9.2kg/Brush Motor;



## ORDERING GUIDE

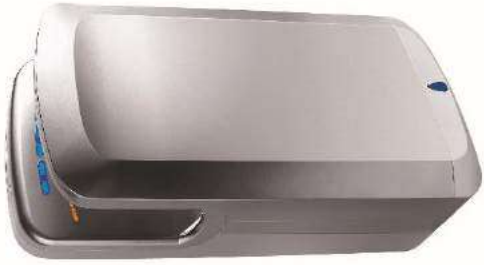
Video: <https://vimeo.com/341056586>

Model No.	Color	Watts	Volts Hz	Air Velocity LFM	Air Volume CFM	Noise dB	Dimensions (W x H x D) (mm/in.)	Weight (kg/lbs.)
C-500220000	Silver Brushed	1450-1650W	110-120V-60	14000	200	70 dB	298 x 669 x 184 (11.73 x 26.33 x 7.24)	7.5/16.5
C-500230000	Champagne	1450-1650W	110-120V-60	14000	200	70 db	298 x 669 x 184 (11.73 x 26.33 x 7.24)	7.5/16.5
C-500000000	White	1450-1650W	110-120V-60	14000	200	70 db	298 x 669 x 184 (11.73 x 26.33 x 7.24)	7.5/16.5



COMMERCIAL HAND DRYERS TO ORDER PLEASE CALL 1-855-550-0303





dyson



**VERSUS  
AEB202**

## **WHY THE COMAC DUAL FLOW IS THE BEST DYSON CROSS IN 11 IMPORTANT POINTS:**

- MADE IN CANADA FOR OVER 35 YEARS**
- COSTS WAY LESS**
- COMAC WILL NEVER SELL DIRECT DISTRIBUTORS IN OVER 10 COUNTRIES**
- BEST WARRANTY IN THE WORLD : LIFETIME**
- QUIETER 70 dB VS 80 dB**
- DRYING TIME 10s FASTEST CAVITY DRYERS ON THE MARKET**
- ABS BACTERIAL COATED RESIN MATERIAL USED THROUGH OUT**
- DOUBLE ANTIBACTERIAL FILTRATION: UV+HEPA VS ONLY HEPA**
- INTEGRATED WATER EVACUATION DRAIN AND BUILT IN REMOVABLE RESERVOIR**
- BIGGER CAVITY OPENING FOR REAL NO-TOUCH USE**
- WITH OUR VARIABLE HEAT CONTROL IT IS 1/3 OF THE OPERATING COST OF OTHER DRYERS**

# 22

## ACCESSORIES

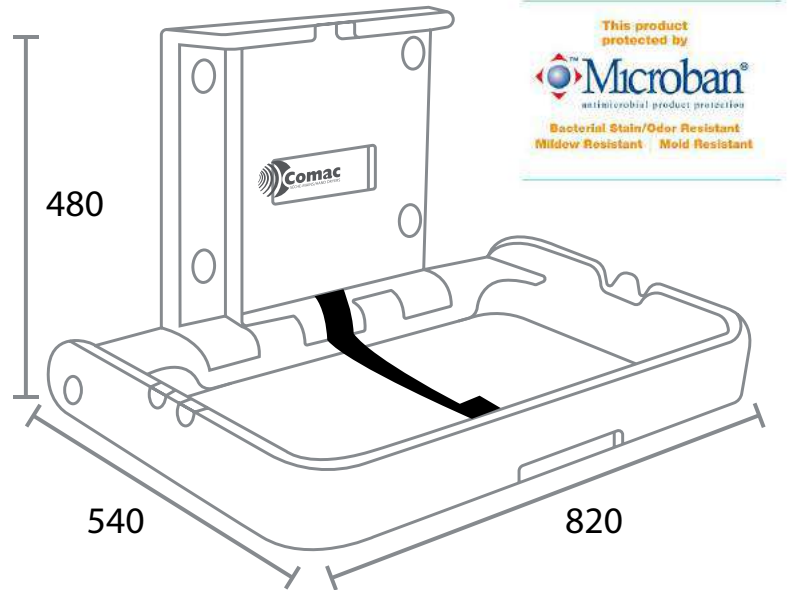
# MODEL: HORIZONTAL BABY CHANGING STATION

MODEL NO: C-000011034

## DESCRIPTION

### TECHNICAL INFORMATION:

- Material: durable and high quality HDPE
- Product weight: 12.4 kg / 27.3 lb
- Loading Weight: 15 kg / 33 lb
- Product size: 540mm / 21.2in(W) x 820mm/32.2in(H) x 140mm / 5.5in(D)
- Packing: 1pcs/ctn
- Carton size: 84cm / 33in x 13cm / 5.1in x 22.5in
- G.W/N.W.: 12.4kg-27.3lb / 11.8kg-26lb
- Color: white





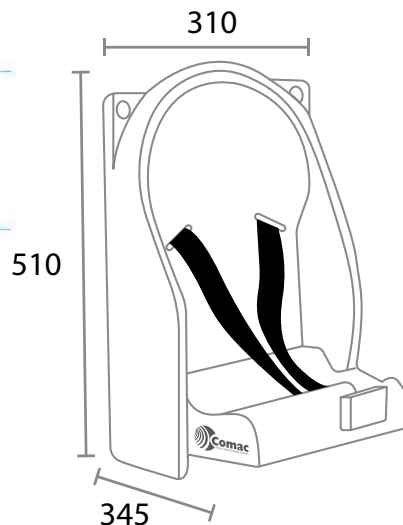
# MODEL: VERTICAL BABY CHANGING STATON

MODEL NO: C-000011035

## DESCRIPTION

### TECHNICAL INFORMATION:

- Material: durable and high quality HDPE
- Product weight: 3.5kg / 7.7lb
- Loading Weight: 25kg / 55.1lb
- Product size(closed): 340mm / 13.3in(W) x 510mm / 20in(H) x 140mm/5.5in(D)
- Product size(opened) : 340mm / 13.3in(W) x 510mm / 20in(H) x 328mm / 12.9in(D)
- Carton size: 63cm / 24.8in x 37.5cm / 14.7in x 54.5cm/21.4in
- G.W/N.W.: 14kg-30.8lb / 13kg-28.6lb
- Color: white



## FEATURES

- Wall-mounted hang-up hair dryer with LED light
- Quiet, long-life motor, 1600 watts of drying power
- 3 positions switch with 2 heat/air settings built-in
- Lifeline shock protection that is built into the unit
- Hanger loop lifts cord off counter top and floor
- Metal mounting plate for secure wall attachment
- Long-lasting electronic light - no bulbs to burn out or replace
- ADA compliant when mounted below 48 inches

## QUIET TURBO HANG-UP HAIR DRYER WITH NIGHT LIGHT

COMAC HAIR DRYER  
MODEL NO: C-000011033  
TYPE: WALL MOUNT

## SPECIFICATIONS

**Color** White

**Power** 1600 Watts/110V

**Certifications** UL/CSA/CE



COMMERCIAL HAND DRYERS TO ORDER PLEASE CALL 1-855-550-0303



# 24

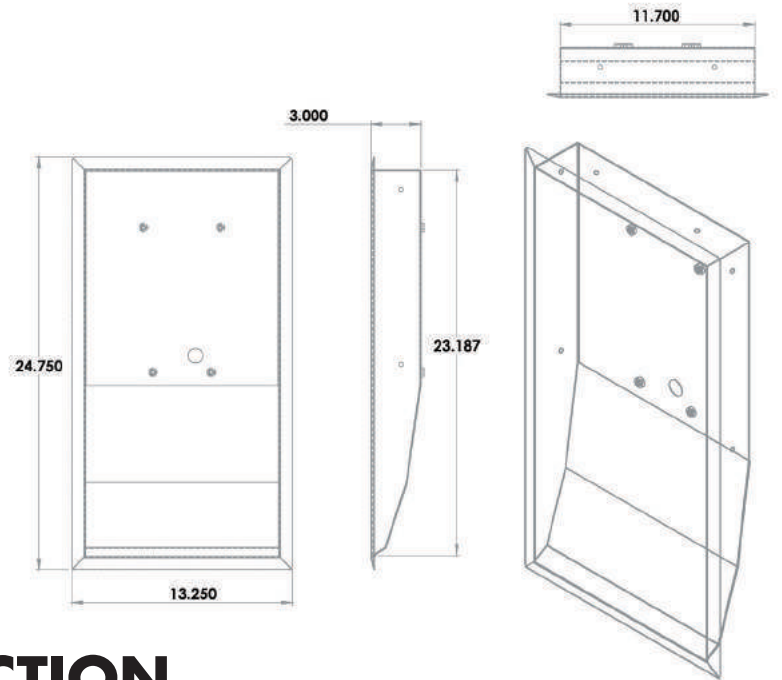
## RECESS kits



## ADA-COMPLIANT STAINLESS-STEEL RECESS KIT

MODEL NO: C-000011031

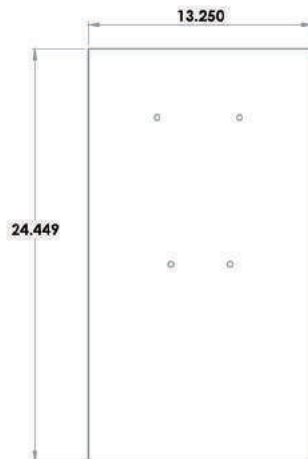
The Comac Recess Kit is a one-piece stainless steel construction and is very easy to install. If a dryer is not ADA compliant, this recess kit will be mandatory to fit the necessary requirements. It's also perfect to keep your wall clean and as well for hallways and narrow bathrooms.



## ADAPTER-WALL ANTIBACTERIAL PROTECTION STAINLESS STEEL PLATE

MODEL NO: C-000011032

This stainless steel adaptor plate covers the old mounting wholes and wall defects when replacing an old dryer or a paper towel dispenser. It's also adding a renewed, clean and modern look to the old bathroom setup and will help you to keep the wall spotless clean.



# KEY FEATURES COMPARISON



## THE ONE

	NOVA			WORLD		EXCEL	AMERICAN		DYSON	COMAC
	NOVA 1	NOVA 5	NOVA 4	AIRSPPEED	MODEL A	H-O	A-SERIES	DR-SERIES	DYSON AIBLADE V	THE ONE
POWDER COAT	Yes	Yes	No	Yes	No	Yes	No	Yes	No	Yes
PORCELAIN	No	No	Yes	No	Yes	No	Yes	No	No	Yes
STAINLESS STEEL	No	No	No	No	Yes	No	No	Yes	No	Yes
CHROME	Yes	Yes	No	Yes	No	Yes	No	No	No	Yes
COMPLIES WITH ADA	Yes	No	No	No	No	No	No	No	Yes	Yes
UNIVERSAL VOLTAGE	Yes	No	No	No	No	No	No	No	No	Yes
BRUSHLESS MOTOR	No	Yes	Yes	Yes	No	Yes	Yes	Yes	Yes	Yes
8600 LFM PERFORMANCE	No	Yes	Yes	Yes	Yes	Yes	Yes	Yes	No	Yes
ULTRA QUIET - UNDER 65 db	No	No	No	No	No	No	No	No	No	Yes
MODULAR CONSTRUCTION	No	No	No	No	No	No	No	No	No	Yes
10 YEARS WARRANTY	No	No	No	No	No	No	No	No	No	Yes

## THE B·L·A·S·T

	EXCEL	AMERICAN	BLUESTORM	WORLD	WORLD	COMAC
	XLERATOR	EXTEREMEAIR	HK-JA	AIRMAX	AIRFORCE	THE BLAST
REINFORCED STEEL	No	No	No	Yes*	No	Yes
PORCELAIN ENAMEL FINISH	No	No	No	Yes*	No	Yes
19000 LFM AIRFLOW-8 SEC DRY	No	Yes	Yes	No	Yes*	Yes
UNIVERSAL VOLTAGE	No	No	No	No	No	Yes
FULL 10 YEAR WARRANTY	No	No	No	No	No	Yes

\* Notes: reinforced steel cover and porcelain finish optional on World AirMax. Performance slightly lower (12-second hand dry claimed) on World Airforce



# OXFORD UNIVERSITY - PAEDIATRICS & CHILD HEALTH PICKS "THE COMAC ONE"

Dryer Model	Number of units tested	3-year-old children's ear canal height (83.5 cm)				Author's ear canal height at start of study (127 cm)				Adult female ear canal height (149 cm)				Adult male ear canal height (161 cm)				Height of dryer jet outlet (varies by dryer)			
		Distance from wall		Hands**		No hands*		Hands		No hands		Hands		No hands		Hands		No hands		Hands	
		30 cm	45 cm	30 cm	45 cm	30 cm	45 cm	30 cm	45 cm	30 cm	45 cm	30 cm	45 cm	30 cm	45 cm	30 cm	45 cm	30 cm	45 cm	30 cm	45 cm
Blast - Comac	1	106.0	105.9	108.4	107.3	105.3	88.3	107.3	107.0	105.2	89.0	106.5	106.2	88.0	88.4	105.8	106.2	105.7	105.7	107.9	107.4
Bobrick B400	2	87.2	86.3	102.1	84.1	85.9	85.8	85.4	82.4	82.6	84.8	85.5	82.6	83.4	87.6	83.7	83.2	87.9	85.0	89.4	85.0
Bobrick B710	2	102.7	83.9	101.6	83.6	83.6	83.6	85.1	84.4	84.6	84.0	84.9	84.8	84.9	82.8	84.8	86.1	84.1	84.2	86.7	84.5
Bobrick B750	1	84.4	84.6	84.6	84.0	84.4	84.0	84.1	84.1	83.9	84.2	84.1	78.6	84.0	83.8	83.8	84.5	84.5	85.4	84.9	84.9
Dyson Airblade	2	105.6	105.1	105.7	105.6	102.3	102.4	105.8	105.7	88.2	87.8	102.8	103.0	86.9	103.2	103.1	102.4	105.9	105.3	107.1	105.7
Dyson Airblade dB	3	86.1	83.6	103.6	86.6	85.4	84.8	88.0	87.2	84.3	83.6	87.2	86.7	83.3	81.9	87.6	86.0	85.4	83.3	101.0	87.3
Dyson Airblade V	4	107.8	107.3	108.0	107.3	106.1	105.4	106.8	105.6	100.3	88.3	105.2	105.0	99.9	88.0	104.4	100.1	108.0	107.0	121.1	107.7
Dyson Tap	1	N/A	106.3	N/A	106.6	106.4	106.4	106.1	106.5	105.5	105.5	105.4	105.7	88.8	88.8	88.6	105.0	108.6	106.8	107.7	106.6
Electric Aire	1	84.9	83.3	84.2	86.3	83.5	84.2	83.8	84.0	83.2	82.5	83.4	83.2	83.5	69.0	83.1	83.1	83.7	87.4	83.6	84.2
GH Wood MT10	3	100.2	84.2	100.7	83.7	81.4	82.6	81.7	82.1	81.5	82.3	80.5	80.5	80.4	80.6	79.9	79.2	100.7	82.8	101.4	82.2
Lovair	1	87.1	86.7	88.8	86.8	87.9	86.4	105.1	88.3	86.4	86.3	87.3	87.3	86.5	87.3	88.7	87.7	88.6	87.1	105.3	88.1
Mitsubishi JT	1	85.4	84.8	105.7	104.9	84.0	85.9	105.2	87.3	83.8	88.1	87.4	87.3	85.2	86.6	86.6	86.4	84.7	84.3	105.3	87.2
Nova 1	1	85.2	85.2	85.7	81.1	84.8	84.6	86.0	85.5	84.9	84.6	85.0	86.8	79.5	84.6	85.3	85.6	84.9	84.8	85.6	85.7
Nova MT10	1	88.4	85.1	85.9	84.2	105.5	84.9	104.6	85.3	84.9	83.4	85.6	86.9	87.8	85.2	85.2	83.9	107.2	84.7	87.7	83.6
One - Comac	1	84.0	83.6	84.1	83.6	83.7	83.5	84.0	84.1	83.4	83.2	83.5	83.1	83.3	83.2	83.4	83.4	83.7	83.3	84.0	84.0
Ouellet Galaxy 2	1	87.8	83.5	84.2	83.2	67.0	65.8	67.1	66.5	65.6	62.0	66.6	63.1	63.6	62.6	64.0	63.2	83.5	67.5	74.8	67.7
World Dyer A	1	104.1	87.5	84.9	87.0	86.4	85.1	85.8	85.0	86.0	85.3	85.1	83.5	85.1	83.5	87.8	85.7	105.0	85.9	104.7	86.7
World Dryer B	1	107.7	87.3	105.0	86.9	84.9	86.9	86.0	86.1	85.9	86.3	85.4	86.0	83.7	83.2	83.6	83.4	106.2	87.7	107.7	88.1
World Dryer RA-5	1	81.6	80.1	85.4	80.5	81.6	79.8	82.4	80.4	80.2	85.8	79.8	80.2	71.1	83.7	81.1	77.8	83.4	80.5	83.5	81.5
Xlerator	3	106.6	103.2	117.0	103.8	100.6	100.5	105.4	105.4	85.5	86.9	105.2	102.7	86.3	86.2	101.0	100.2	105.8	100.6	107.1	102.2
Xlerator EHD 501	1	105.7	105.8	106.0	106.9	106.8	106.2	108.2	106.4	105.2	105.2	105.6	103.7	105.2	104.6	105.7	106.0	106.9	106.0	108.5	107.1
Xlerator XL	9	86.3	88.3	105.9	105.4	84.8	84.0	106.1	104.5	84.0	83.3	105.8	105.8	83.9	83.2	104.6	104.7	86.1	84.1	106.7	105.5
Xlerator XLSB	1	105.2	105.1	106.2	105.6	105.0	106.4	105.7	105.1	88.4	85.7	105.5	105.8	87.6	86.7	105.7	104.7	105.1	105.1	104.9	105.1

\*'No hands' indicates measurements taken when the hand dryer was running without hands in the air flow.

\*\*'Hands' indicates measurements taken when the hand dryer was running with hands in the air flow.

≤ 85 dBA

> 85 dBA and ≤ 100 dBA

> 100 dBA

N/A = not possible to measure due to installation set-up.



# 27

## COST economy

### COST COMPARISON & SAVINGS CALCULATION

COMAC HAND DRYERS - SUSTAINABLE.  
RE-DEFINING HAND DRYERS - SAVING YOU MONEY!

## THE COST OF DRYING YOUR HANDS

### PAPER TOWEL

Cases of paper towels used per month

Cost per case, delivered

Cost of paper towels per month  
*Box 1 x Box 2*

Handling cost (see Note A)  
*Box 3 x 25%*

**Total paper towel costs per month**  
*Box 3 + Box 4*

### COMAC HAND DRYERS

Number of paper towels per case (see Note B)

Number of paper towels used per month  
*Box 1 x Box 5*

Number of hand dryings per month (see Note C)  
*Box 7 divided by 2.5*

Hours of hand dryer usage per month (see Note D)  
*Box 8 divided by 360 (BLAST) or 120 (ONE)*

Cost of electricity per kWh (see Note E)

**Total monthly operating cost** (see Note F)  
*Box 9 x Box 10 x 1.45*

### OPERATING COST SAVINGS

Monthly savings, hand dryers vs. paper towels  
*Box 5 - Box 11*

Yearly savings, hand dryers vs. paper towels  
*Box 12 x 12*

**Savings in operating costs over 10-year warranty period**  
*Box 13 x 10*

### CALCULATE PAYBACK PERIOD

Number of hand dryers required (see Note G)

Cost per hand dryer including installation

Total capital cost of hand dryers  
*Box 15 x Box 16*

**Payback period (months)**  
*Box 17 divided by Box 12*

*After payback period you will continue to save the amount in Box 12 monthly*

- A. 25% handling allowance includes the cost of generating requisitions and purchase orders, receiving, storing, servicing towel dispensers, collecting and disposing of used towels. It does not include any incremental plumbing costs that may result from blockage by paper towels.
- B. 3,750 multi-fold towels per case is industry standard.
- C. 2.5 multi-fold towels per hand dry is industry standard.
- D. The BLAST delivers (360) 10-second hand drying cycles per hour of operation. The ONE delivers (120) 30-second cycles per hour.
- E. Average North American commercial electricity rate is \$0.12 per kWh.
- F. Both The BLAST and The ONE consume 1.45 kilowatts when in operation.
- G. Estimate 1-2 BLAST hand dryers or 2-3 ONE hand dryers per 4 washbasins (depending on use), minimum 1 per washroom.

# ENERGY EFFICIENT ENVIRONMENTALLY FRIENDLY



# HAVE YOU EVER CONSIDERED HOW MUCH IT COSTS TO DRY YOUR HANDS WITH PAPER?

A TYPICAL FAST FOOD RESTAURANT WITH TWO RESTROOMS USES ON AVERAGE 2,000 POUNDS OF PAPER TOWELS - THE EQUIVALENT OF 34 TREES - EACH YEAR! A TYPICAL SCHOOL MIGHT USE FIVE TONS OF PAPER TOWELS ANNUALLY - ABOUT 89 TREES.

## THE PAPER TRAIL:



Deforestation  
Transportation



Warehousing



Manufacturing



Waste



Plumbing



Janitorial



Landfill

“WE ARE HELPING YOU TO KEEP YOUR MONEY WHERE IT BELONGS!”



# COST COMPARISON & SAVINGS CALCULATION



## B·L·A·S·T vs. Paper Towels

Power · Design · Innovation

### Paper towel costs

Cases used annually		85
Cost per case (delivered)	x	47.00
Towel cost		3,995.00
<sup>1</sup> Towel handling cost	+	998.75
<b>Paper towel cost per year</b>		<b>\$4,993.75</b>

### Calculation of hand dryings

Cases used annually		85
<sup>2</sup> Paper towels per case	x	3,750
Paper towels per year		318,750
<sup>3</sup> Towels used per hand dry	/	2.5
<b>Hand dryings per year</b>		<b>127,500</b>

### Hand dryer costs

Cost of hand dryer		655.00
<sup>4</sup> Installation cost per dryer	+	150.00
Installed cost per dryer		805.00
Number of dryers required	x	6
<b>Total capital cost</b>		<b>4,830.00</b>

Hand dryings per year		127,500
<sup>5</sup> Average drying time (hrs.)	x	0.0042
<sup>6</sup> Dryer wattage (kW)	x	1.3
Kilowatt hours (kWh) per year		690.625
Electricity cost per kWh		0.11
<b>Electricity cost per year</b>		<b>75.97</b>

Annual operating savings = Paper towel cost - Electricity cost = \$4,918.00  
 Ten-year operating savings = Annual savings X 10 = \$49,178.00  
**Monthly savings after payback period ( \$4,918.00 / 12 ) = \$410.00**  
 Payback period = \$4,830.00 / \$410.00 per month = 12 months



## THE MODULAR DRYER vs. Paper Towels

### Paper towel costs

Cases used annually		85
Cost per case (delivered)	x	47.00
Towel cost		3,995.00
<sup>7</sup> Towel handling cost	+	998.75
<b>Paper towel cost per year</b>		<b>\$4,993.75</b>

### Calculation of hand dryings

Cases used annually		85
<sup>8</sup> Paper towels per case	x	3,750
Paper towels per year		318,750
<sup>9</sup> Towels used per hand dry	/	2.5
<b>Hand dryings per year</b>		<b>127,500</b>

### Hand dryer costs

Cost of hand dryer		555.00
<sup>10</sup> Installation cost per dryer	+	150.00
Installed cost per dryer		705.00
Number of dryers required	x	6
<b>Total capital cost</b>		<b>4,230.00</b>

Hand dryings per year		127,500
<sup>11</sup> Average drying time (hrs.)	x	0.0083
<sup>12</sup> Dryer wattage (kW)	x	1.5
Kilowatt hours (kWh) per year		1593.75
Electricity cost per kWh		0.11
<b>Electricity cost per year</b>		<b>175.31</b>

Annual operating savings = Paper towel cost - Electricity cost = \$4,818.00  
 Ten-year operating savings = Annual savings X 10 = \$48,184.00  
**Monthly savings after payback period ( \$4,818.00 / 12 ) = \$402.00**  
 Payback period = \$4,230.00 / \$402.00 per month = 11 months



<sup>1,7</sup> Handling cost based on industry average of 25%. Includes cost of generating requisitions and purchase orders, receiving, storing, servicing towel dispensers, collecting and disposing of used towels but does not include any incremental costs for plumbing repairs due to blockages caused by paper towels; <sup>2,8</sup> Based on industry standard of 3750 multi-fold towels per case; <sup>3,4,9,10</sup> Industry averages; <sup>5</sup> Based on The BLAST performance standard of 15 seconds per hand drying cycle. 15 seconds / 3600 seconds per hour = 0.0042 hours; <sup>6</sup> The BLAST wattage = 1300 Watts = 1.3 Kilowatts; <sup>11</sup> Based on The ONE performance standard of 30 seconds per hand drying cycle. 30 seconds / 3600 seconds per hour = 0.0083 hours; <sup>12</sup> The ONE wattage = 1500 Watts = 1.5 Kilowatts.



# 30

## GREEN Facts



## ENVIRONMENTALLY FRIENDLY

### COMAC HAND DRYERS ARE ENVIRONMENTALLY FRIENDLY

The environmental argument for hand dryers is self-evident: paper towels require the destruction of trees and forests and result in water pollution. Whether or not an establishment is forced through local legislation to reduce non-recyclable waste, the environmental choice is clear. Up to 20,000 gallons of water is polluted in the production of 1 ton of paper towel. And paper towels cannot be recycled...they only add to our ever increasing landfills.

Hand dryers also promote hygiene because washrooms are generally cleaner and more sanitary where they are used. There have been unsubstantiated claims by the paper industry that warm-air hand dryers are unsafe or have adverse health effects. In an independent study, the Mayo Clinic concluded that these claims were **untrue**. We encourage you to decide for yourself: please visit our website to download the complete unedited four-pages summary of the **MAYO CLINIC STUDY** in PDF format and to see the **Innovaltech's 2008 Independent Environmental Laboratory Study**.

### ECO FRIENDLY BENEFITS OF HAND DRYERS

Save trees from being cut down and save land fills from paper towel waste. Hand dryers use less energy than it takes to produce an equivalent amount of paper towels.

### ECONOMICAL BENEFITS OF HAND DRYERS

Hand dryers are inexpensive to operate and eliminate the many costs associated with paper towels, like purchasing, stocking, refilling, clean-up and waste removal.

### SANITARY BENEFITS OF HAND DRYERS

Health codes require a hand drying method be present at all times. Warm air won't run out on you! Paper towel waste can clog toilets and sinks, creating an unsanitary and uninviting environment.

### HAND DRYING THAT DOESN'T COST THE EARTH

The Blast hand dryer simultaneously blows water o hands and evaporates residual moisture, drying hands completely in approximately 10 seconds. Using 1/6th of the energy used by conventional hand dryers, Blast is extremely environmentally friendly. It costs up to 95% less than paper towels to operate, and compared to conventional warm air dryers, costs 80% less to run. Applying to **all COMAC Hand Dryers**:

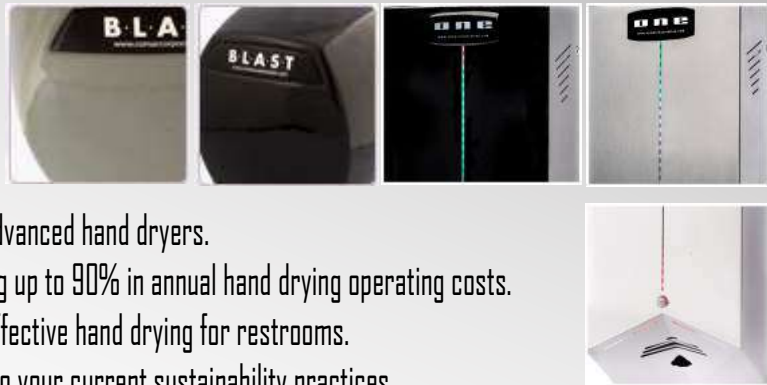
- USING 1/6TH OF THE ENERGY OF A CONVENTIONAL DRYER
- ENVIROMENTALLY FRIENDLY
- CONTAIN UP TO 80% RECYCLED MATERIAL
- CSA/US AND CE APPROVED
- QUALIFY FOR LEED® CREDITS



**ENVIRONMENTALLY RESPONSIBLE | GREENING THE GLOBE ONE WASHROOM AT A TIME | REDEFINING HAND DRYERS | REDEFINING WASHROOMS | NO TOUCH DRYING | CLEAN AND GREEN**

# Discover what Comac does for the environment

## REDEFINING HAND DRYERS



Comac is proud to offer our innovative and technologically-advanced hand dryers. Comac BLAST and ONE hand dryers are the solution for saving up to 90% in annual hand drying operating costs. Comac hand dryers provide reliable, trouble-free and cost-effective hand drying for restrooms. Comac's GreenSpec Listed hand dryers are a great addition to your current sustainability practices.

Environmentally friendly and sustainable, Comac is the only hand dryer manufacturer providing dryers that contain up to 80% recycled material.

Comac brings you new technologies and design in modular and high-powered hand dryers. Comac's line includes the world's first modular dryer, the sleek Comac ONE, and the high powered, eco-friendly Comac BLAST. As the industry leader in performance and design, Comac has quickly become the manufacturer of choice for multi-location retailers and food-service establishments in North America and abroad.

The eco-friendly Comac BLAST is the choice for high traffic locations such as quick service restaurants, schools, stadiums, industrial settings, convenience stores, supermarkets and office buildings. The BLAST uses 1/6 th the energy of conventional dryers. It features a 10 second dry time, 16,000 linear feet per minute air velocity, the rugged durability of a porcelain cast-iron cover, universal voltage (110v-240v) and a 10 year warranty. The vandal-resistant cast iron cover contains 100% recycled content, doubling that of its closest competitor.

Multiple-location retail, food-service outlets, elementary and middle schools, office buildings and libraries have chosen the Comac ONE for both retro-fit and new construction projects. The ONE represents the industry's lowest overall cost of ownership dryer. Once installed, electricians or service calls become a thing of the past. No other conventional dry-time unit can equal the 10 year warranty or worry-free ownership of the ONE. Universal voltage, ONE module, ONE solution ! Even the zinc and steel cover of the ONE is 100% recyclable !

[www.comaccorporation.com](http://www.comaccorporation.com)



# Discover what Comac does for the environment

## REDEFINING HAND DRYERS



**Quick environmental facts:**  
 1 ton of paper ( about 150,000 sheets) represents :  
 17 trees  
 1600 kWh of energy  
 32,000 liters of water  
 1500 kilograms of greenhouse gases  
 27 kilograms of air pollutants  
 3 m<sup>3</sup> of space in a landfill

### Paper towel carbon footprint per hand dry

Materials production (KgCO <sub>2</sub> eq)	0.0050
Manufacturing (KgCO <sub>2</sub> eq)	0.0104
Transportation (KgCO <sub>2</sub> eq)	0.0012
Disposal (KgCO <sub>2</sub> eq)	0.0035
<b>Total carbon footprint per dry (KgCO<sub>2</sub>eq)</b>	<b>0.0201</b>

### Hand dryer carbon footprint per hand dry

	Comac BLAST	Comac ONE	Conventional Dryer
Dryer wattage (watts)	1450	1450	2000
Drying cycle (seconds)	10	30	30
Energy use per hand dry (kWh)	0.0040	0.0121	0.0167
Average KgCO <sub>2</sub> /kWh (coal power generation)	0.900	0.900	0.900
<b>Total carbon footprint per dry (KgCO<sub>2</sub>eq)</b>	<b>0.0036</b>	<b>0.0109</b>	<b>0.0150</b>

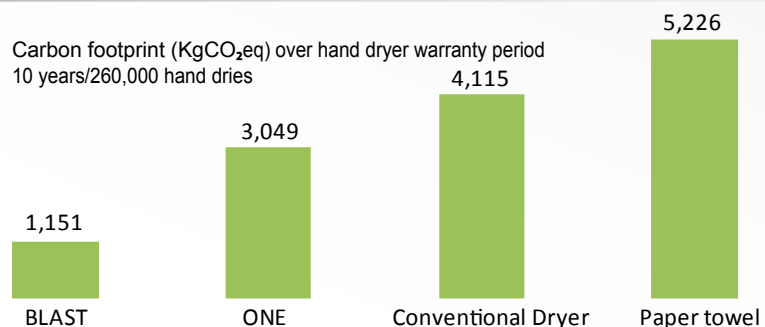
### TOTAL CARBON FOOTPRINT OVER DRYER WARRANTY PERIOD - 10 years/260,000 hand dries

	BLAST	ONE	Conventional Dryer
Carbon footprint, usage (KgCO <sub>2</sub> eq)	936	2,834	3,900
Carbon footprint, life cycle (KgCO <sub>2</sub> eq)	215	215	215
<b>Hand dryer carbon footprint (KgCO<sub>2</sub>eq)</b>	<b>1,151</b>	<b>3,049</b>	<b>4,115</b>
<sup>1</sup> <b>Equivalent paper towel carbon footprint (KgCO<sub>2</sub>eq)</b>	<b>5,226</b>	<b>5,226</b>	<b>5,226</b>
<b>Carbon SAVINGS over dryer lifetime</b>			
Carbon footprint (KgCO <sub>2</sub> )	4,075	2,177	1,111
<sup>2</sup> <b>EQUIVALENT TO REDUCING AUTOMOBILE USE BY</b>	<b>15,785 km</b>	<b>8,431 Km</b>	<b>4,304 Km</b>

<sup>1</sup> Paper towel carbon footprint =  
 260,000 hand dries \* 0.0201 KgCO<sub>2</sub>eq per hand dry = 5,226 KgCO<sub>2</sub>eq

<sup>2</sup> CO<sub>2</sub>/mile, average passenger car : 0.916 lbs\*  
 \*Source : US EPA <http://www.epa.gov/otaq/consumer/f00013.htm>

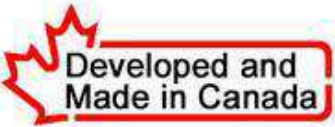
Carbon footprint (KgCO<sub>2</sub>eq) over hand dryer warranty period  
 10 years/260,000 hand dries



# LOOK AT WHO IS USING COMAC HAND DRYERS:



# COMAC IS PROUD TO BE A MEMBER OF:



COMMERCIAL HAND DRYERS MADE IN CANADA-TO ORDER PLEASE CALL 1-855-550-0303

# 34

## AWARDS & CERTIFICATIONS



## CERTIFICATIONS



# WARRANTY AND POLICIES



## Life, 10 or 3 Years Limited Warranty

*Comac dryers are designed and manufactured to provide years of worry-free performance.*

*Comac hand dryers are manufactured by experienced technicians guaranteeing you a defect-free unit for ten years.*

*This warranty applies to the original purchaser only and covers all dryer components.*

*The warranty covers only manufacturer's defects.*

*It does not cover complete dryer replacement,*

*complete dryers or parts damaged*

*during transportation,*

*installation or as a result of*

*misuse, abuse, or normal wear*

*and tear. It does not cover*

*transportation, freight costs or*

*labour.*

*Comac accepts no liability*

*other than the repair and / or*

*exchange of defective parts.*



## WARRANTY AND RETURNED GOODS PROCEDURES

- A Warranty Policy Statement is packed with each dryer supplied by COMAC.
- In essence, COMAC warrants to the consumer that its products are free of defects in either material or workmanship. If, during the warranty period following a purchase, a consumer finds that a COMAC supplied dryer is defective, we will replace the components causing the problem at no charge.
- In every case of goods being returned whether for warranty claims or otherwise, a Returned Goods Authorization number (R.G.A. No.) MUST first be obtained from COMAC. This R.G.A. system allows us to properly track and document each return and assure that the necessary follow-up is done. Returned Goods which do not have an authorized R.G.A. number will not be accepted by COMAC.
- Warranty only covers defects. It does not cover wear and tear. It does not cover misuse or abuse. It does not cover transportation or freight costs or any labor charges associated with a repair. Our warranty policy, if properly explained by the distributor, will provide the purchaser with the deserved protection without the problems of misunderstanding.

- Warranty requires that the purchaser with a defective dryer or component return it, prepaid, to COMAC or one of its authorized distributors. If, upon examination, the product is found to be defective within the warranty period, the faulty parts will be repaired or replaced without cost.

***In the case of complete dryer repairs, however, labor will be chargeable. Every effort will be made by COMAC or its distributors to make such repairs as quickly as possible. The product will be returned to the purchaser on a freight collect basis.***

- As part of the agreement with COMAC, the distributor will deal with the customers in his market on warranty issues. The distributor must obtain the following information prior to making a warranty claim: Dryer model and voltage, serial number, date of purchase and exact nature of the problem. All of this information is necessary if COMAC is to make a proper assessment of the claim. If the claim is judged by COMAC to be valid, COMAC will send the correct replacement part and/or issue a return goods authorization for the return of the defective part. Please note that all replacement parts sent to a Distributor or his customer will be invoiced by COMAC. When the defective component or dryer is returned to COMAC along with the R.G.A. number, the appropriate credits will be issued. The distributor may ask COMAC to deal with his customer directly to expedite the situation by supplying the customer coordinates to Comac.
- Return of goods, other than Warranty claims, will only be allowed if the distributor receives prior R.G.A. authorization from COMAC. In any such case, contact the head office of COMAC and give full details about the product in question and the reason you wish to return it.
- A fifteen per cent restocking charge will apply to all "non warranty" returned goods, except for goods shipped by COMAC in error. COMAC will only accept authorized returns that are shipped prepaid.
- All products are shipped F.O.B. to our nearest U.S. warehouse or our Saint-Jerome warehouse. Any claim for damage in transit must be made by the distributor to the carrier.



# Limited Lifetime Warranty on Comac dryers

Comac extends a limited warranty to the structural components of its products **ONE SERIES, BLAST SERIES AND DUAL FLOW SERIES.**

Comac warrants their products for the lifetime of each product against manufacturer's defects in materials and workmanship. Products carry the warranty specified for that category.

**Only One, Dual Flow and Blast series manufactured by Comac, including the i series,** are subject to a lifetime warranty period from the date of purchase against manufacturer's defect in materials and workmanship.

The conditions of the warranty are: Products shall have been subject to only normal use and service and shall not have been misused, neglected, altered, improperly set up or otherwise damaged; and there shall be no evidence of tampering or deliberate misuse or destruction. packaging standards should be maintained, see Freight Damage.

Defects to Comac products will be determined solely by Comac and not by any representative, distributor or dealer of or for Comac. Upon determination of a defect, Comac's sole obligation will be to repair or replace the defective part with same or similar product.

Any claim against Comac for defects in materials or workmanship must be in writing. Comac must authorize the return of any alleged or defective part before it is returned. The party making the claim must prepay all shipping and transportation costs. Comac will not accept charges for parts purchased unless the conditions of the warranty have been satisfied.

Comac reserves the right to substitute, discontinue, alter or modify any product or part thereof, at any time without prior notice. In such cases Comac may, at its sole discretion, substitute the warranted product.

No Comac representative, distributor or reseller is authorized to assume for Comac any other obligations or liabilities in connection with the product, or alter the terms of this warranty in any way.

Comac shall not be liable for damages, including special, incidental or consequential damages arising out of or in connection with the performance of a Comac product or its use by the owner.

Non-Comac made products carry the warranty extended by their manufacturer.



**ONE B.L.A.S.T  
DUAL FLOW**

## RETURN POLICY

Verify each shipment immediately upon receipt against Comac's packing list to ensure accuracy. If a discrepancy is found, please contact the Comac Customer Service Department immediately. Comac accepts an even price exchange of standard products within 10 working days from delivery from an Comac warehouse with no restocking fees.

Should a return be requested for any reason other than a warranty matter 10 days or more after the shipping date, contact Comac's Customer Service Department for a determination of whether Comac will accept the desired return. Comac will carry out a full inspection of products before deciding whether or not to accept the return. All returns of this nature are subject to a 25% restocking fee. Returns are not accepted more than 30 days after the shipping date.

**Freight Damage:** Products arriving damaged in shipping is a 'no-warranty issue'. Claims must be made to the Comac Customer Service Department within 3 business days of receiving the product. Please be sure to sign for the package(s) as 'damaged'. Upon authorization to return the damaged product, all returns must be made to Comac within 30 days of delivery.

**Standard Warranty:** Should a problem be experienced with a Comac product within its given warranty period, please contact the Comac Customer Service Department to determine the nature of the product failure and to establish an adequate solution.

If a return for repair is needed, returns must be made within 30 business days of the Return Authorization (RMA).

**Order Cancellation:** Order cancellations must be made in writing with receipt of the cancellation confirmed. Cancellation of a product order Comac has produced or ordered raw materials for may result in Comac fully charging for materials and labor, or imposing a minimum cancellation fee of up to 50% of the purchase/sale price.

## COMAC CORPORATION INC.

25 Bd Maisonneuve-suite #2 • Saint-Jerome, QC J5L-0A1 Canada • Phone (450) 432-5946 • (Rev. June 2018)



# WORLD LEADING MANUFACTURER OF INTELLIGENT HAND DRYERS

**TOLL FREE** +1 (855) 550 0303  
 +1 (450) 432 5946  
 +1 (450) 432 8910  
 2-25 BOUL MAISONNEUVE  
 Saint-Jérôme QC J5L 0A1  
 sales@comaccorporation.com  
 www.comaccorporation.com

